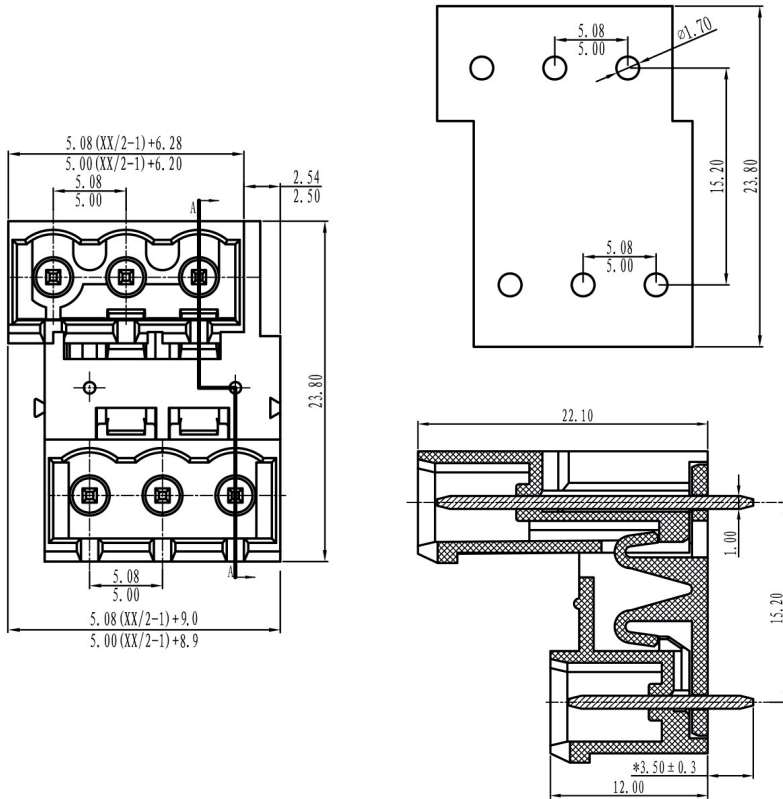


PCB Terminal Blocks Double Level Vertical Offset Header ASIWJ2EDGVTC-5.08



Certification	
Material	
Pin/Plate	Brass, Tin Plated
Housing	PA66, UL 94V-0, Green
Electrical	
Standard	UL 1059/CSA C22.2 No. 158
Rated Voltage	300 V
Rated Current	15 A
Contact Resistance	20mΩ
Insulation Resistance	500MΩ/500 Vdc
Withstand Voltage	2000 Vac/1 Min
Mechanical	
Temperature Range	-40°C...+105°C
Size	
Pitch	5.08 mm (.200")
Poles	2P-12P. Additional sizes available on request.

Item	No. of Poles	Length (mm)
ASIWJ2EDGVTC-5.08-2P	2	14.08
ASIWJ2EDGVTC-5.08-3P	3	19.16
ASIWJ2EDGVTC-5.08-4P	4	24.24
ASIWJ2EDGVTC-5.08-5P	5	29.32
ASIWJ2EDGVTC-5.08-6P	6	34.4
ASIWJ2EDGVTC-5.08-7P	7	39.48
ASIWJ2EDGVTC-5.08-8P	8	44.56
ASIWJ2EDGVTC-5.08-9P	9	49.64
ASIWJ2EDGVTC-5.08-10P	10	54.72
ASIWJ2EDGVTC-5.08-11P	11	59.8
ASIWJ2EDGVTC-5.08-12P	12	64.88